

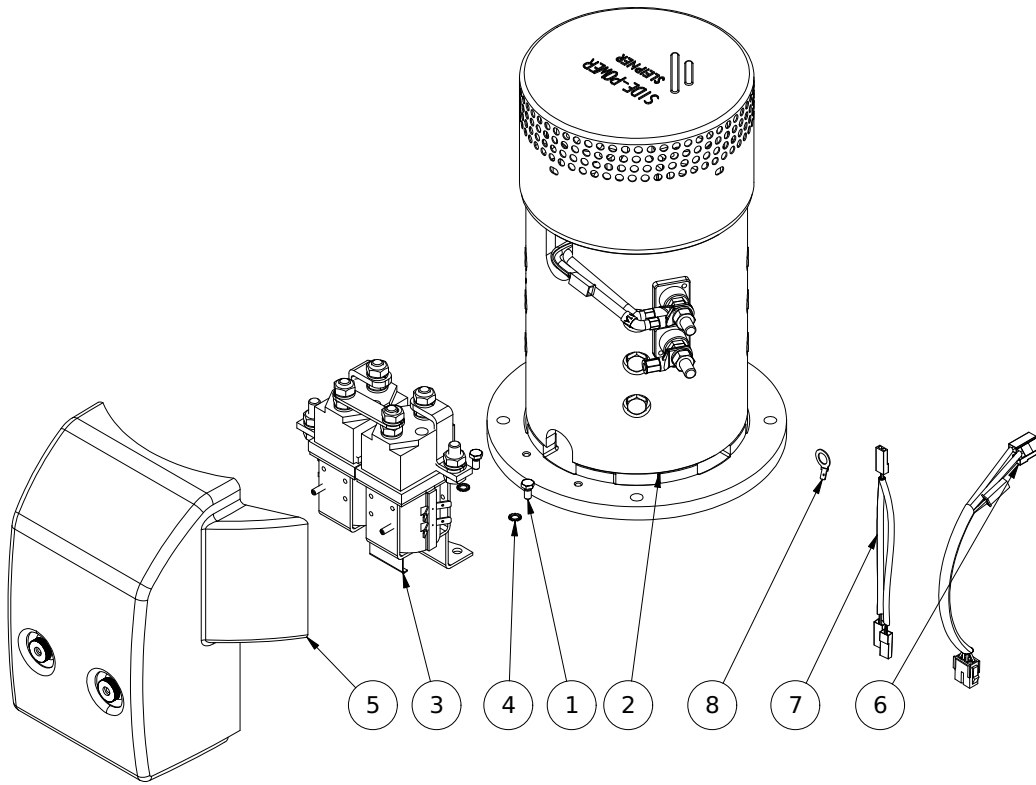
13 0102 24

Electric motor SEP210 24V

Spare parts (valid from 2022-08-24)



SLEIPNER



#	Quantity	Name	Item Code	Description
1	2.00	Bolt		DIN 933 - M6 x 12
2	1.00	Electric motor		Electric motor
3	1.00	Solenoid repalcement	1013702	Solenoid SE150/170/210/250/300
4	2.00	Lock washer		DIN 6798 - A 6,4
5	1.00	Solenoid cover kit	SM168576	Solenoid cover kit SE150/170/210/250/300
6	1.00	Internal wiring harness	6 1223	Internal wiring harness for PRO™ models
7	1.00	Wiring loom	6 1222	Wiring loom
8	1.00	Cable lug		Kontakt
9*	1.00	Brushes for motor (kit)		
10*	1.00	Brushes spring for motor (kit)		
11*	1.00	Temp switch		

(9*) Brushes for motor (kit)

(10*) Brushes spring for motor (kit)

(11*) Temp switch

The installer alone has responsibility for the installation of the spare parts. Side-Power only warranty the spare parts supplied only.

The information given in the document was correct at the time it was published. However, Sleipner Motor AS can not accept liability for any inaccuracies or omissions it may contain. Continuous product improvement may change the product specifications without notice. Therefore, Sleipner Motor AS can not accept liability for any possible differences between product and document.