

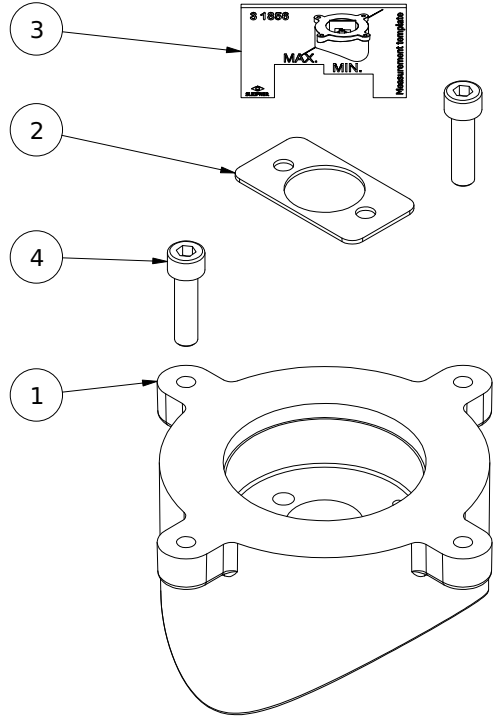
SM-126302

Motor bracket SE20/25

Spare parts (valid from 2022-03-16)



SLEIPNER



#	Quantity	Name	Item Code	Description
1	1.00	Motor bracket for SE20/25		
2	1.00	Support plate	SM-128488	Support plate for gearleg bracket SE20/25
3	1.00	Measurement template	3 1856	Measure template SE20/30/40
4	2.00	Bolt		DIN 912 - M8 x 30 (A2)

The installer alone has responsibility for the installation of the spare parts. Side-Power only warranty the spare parts supplied only.

The information given in the document was correct at the time it was published. However, Sleipner Motor AS can not accept liability for any inaccuracies or omissions it may contain. Continuous product improvement may change the product specifications without notice. Therefore, Sleipner Motor AS can not accept liability for any possible differences between product and document.