

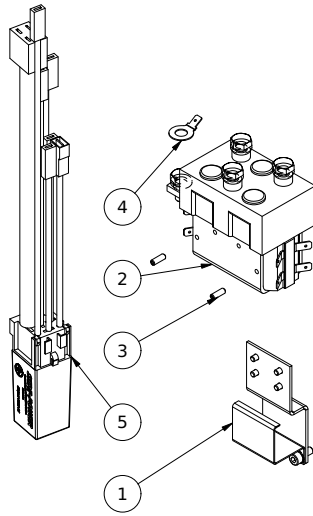
3 0131 12

Solenoid kit SE40 + SP40 12V

Spare parts (valid from 2022-03-21)



SLEIPNER



#	Quantity	Name	Item Code	Description
1	1.00	Solenoid bracket kit	3 0135	Solenoid bracket kit SE40 + SP40
2	1.00	Solenoid replacement 12V	4 1472 12	Solenoid SE40/50/60 + SP40/55 12V
3	2.00	Threaded pin bolt		DIN 916 - M4 x 12 (A4)
4	1.00	Uninsulated cable lug		Uninsulated cable lug (B 1457 H 8)
5	1.00	Controller	SM159144	Controller SE40-80/12 24V SE100-130 24V

The installer alone has responsibility for the installation of the spare parts. Side-Power only warranty the spare parts supplied only.

The information given in the document was correct at the time it was published. However, Sleipner Motor AS can not accept liability for any inaccuracies or omissions it may contain. Continuous product improvement may change the product specifications without notice. Therefore, Sleipner Motor AS can not accept liability for any possible differences between product and document.