

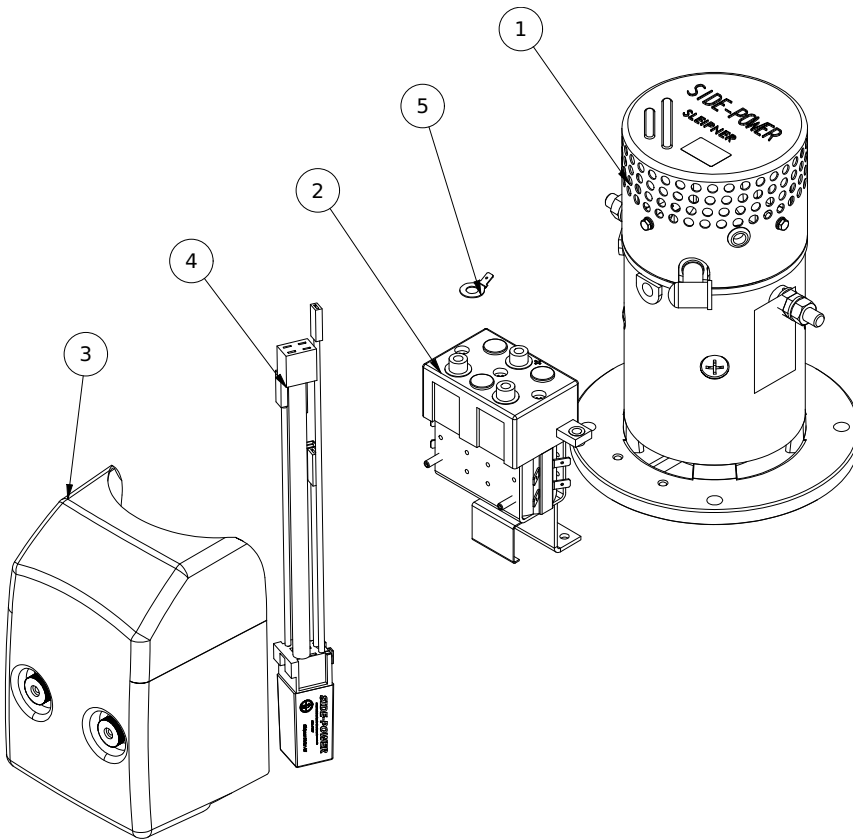
6 0101 24

Electric motor SE80 24V

Spare parts (valid from 2022-03-15)



SLEIPNER



#	Quantity	Name	Item Code	Description
1	1.00	Electric motor		
2	1.00	Solenoid replacement, complete for SE80 24V	41371244	Solenoid SE80 24V
3	1.00	Solenoid cover kit for SE80/100	SM168566	Solenoid cover kit SE80/100
4	1.00	Controller SE40-80/12-24V (SE80-130/24V)	SM159144	Controller SE40-80/12 24V SE100-130 24V
5	1.00	Cable lugs		
6*	1.00	Brushes for motor		
7*	1.00	Brushes spring for motor		
8*	1.00	Temp switch		

(*6) Please provide thruster serial # when ordering brushes for motor.

(*7) Please provide thruster serial # when ordering brushes spring for motor.

(*8) Please provide thruster serial # when ordering temp switch.

The installer alone has responsibility for the installation of the spare parts. Side-Power only warranty the spare parts supplied only.

The information given in the document was correct at the time it was published. However, Sleipner Motor AS can not accept liability for any inaccuracies or omissions it may contain. Continuous product improvement may change the product specifications without notice. Therefore, Sleipner Motor AS can not accept liability for any possible differences between product and document.