

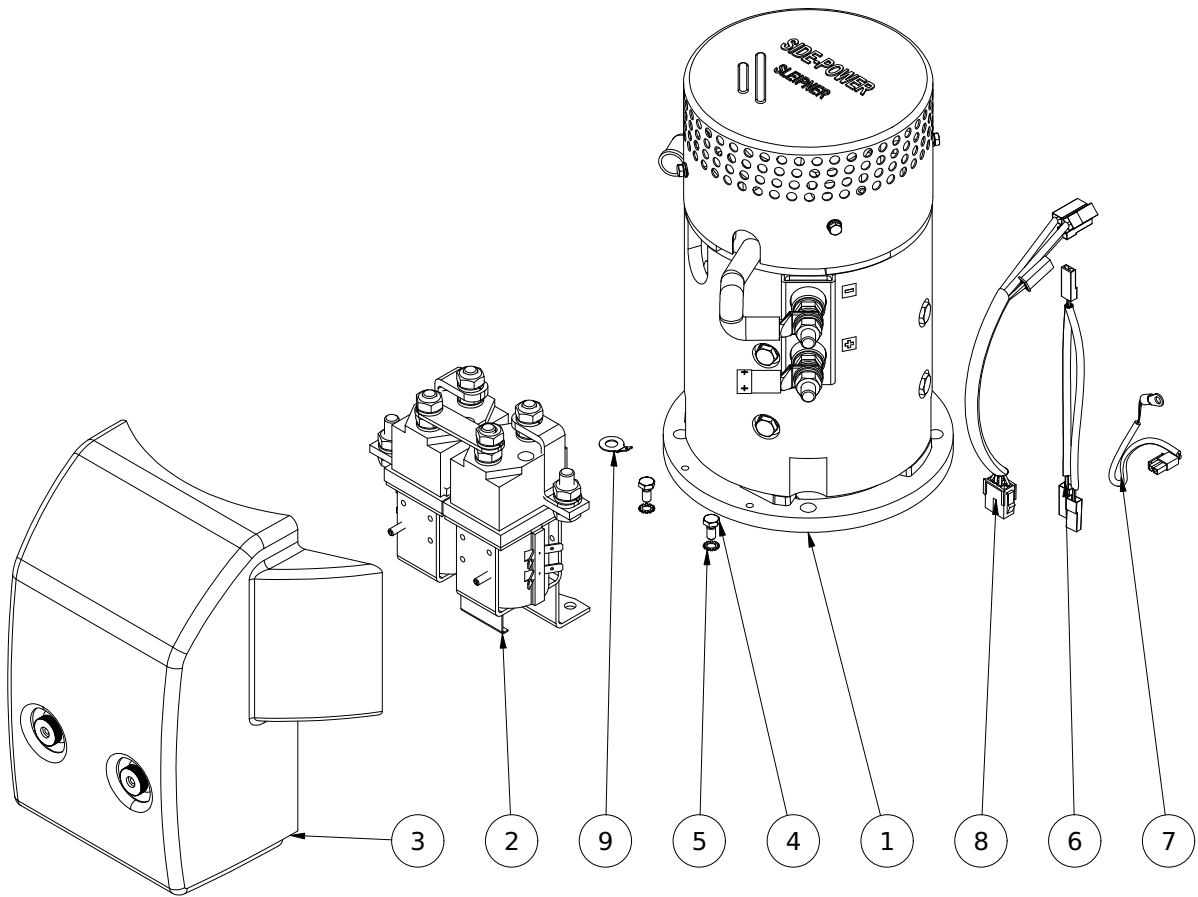
**9 0105 24**

**Electric motor SEP150 24V**

**Spare parts (valid from 2022-08-22)**



**SLEIPNER**



#	Quantity	Name	Item Code	Description
1	1.00	Electric motor		Electric motor
2	1.00	Solenoid replacement	1013702	Solenoid SE150/170/210/250/300
3	1.00	Solenoid cover kit	SM168576	Solenoid cover kit SE150/170/210/250/300
4	2.00	Bolt		DIN 933 - M6 x 12
5	2.00	Lock washer		DIN 6798 - A 6,4
6	1.00	Power connector	6 1222	Wiring loom
7	1.00	Temp sensor	31091	NTC Temperature probe M5 L=300mm
8	1.00	Internal wiring harness	6 1223	Internal wiring harness for PRO™ models
9	1.00	Cable lug ( B 1457 H 8 )		Uninsulated cable lug ( B 1457 H 8 )
10*	1.00	Brushes for motor (kit)		
11*	1.00	Brushes spring for motor (kit)		
12*	1.00	Temp switch		

**(10\*)** Please provide thruster serial # when ordering brushes for motor (kit).

**(11\*)** Please provide thruster serial # when ordering brushes spring for motor (kit).

**(12\*)** Please provide thruster serial # when ordering temp switch.

The installer alone has responsibility for the installation of the spare parts. Side-Power only warranty the spare parts supplied only.

The information given in the document was correct at the time it was published. However, Sleipner Motor AS can not accept liability for any inaccuracies or omissions it may contain. Continuous product improvement may change the product specifications without notice. Therefore, Sleipner Motor AS can not accept liability for any possible differences between product and document.