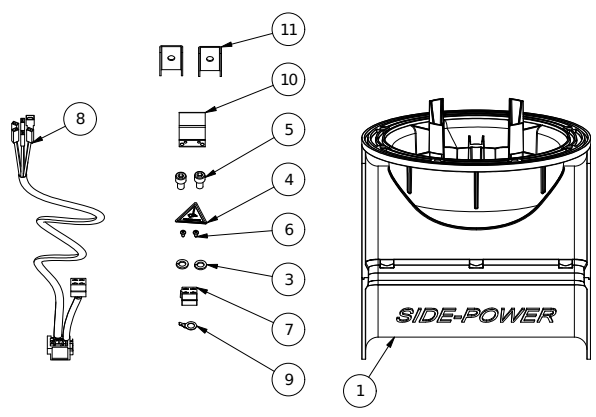


90150I

Tunnel kit for stern thruster

SE130/170/210 + SH240, Ø250mm

Spare parts (valid from 2022-06-30)



#	Quantity	Name	Item Code	Description
1	1.00	Stern tunnel, outer part of 90150i	90149	Tunnel spare part for 90150I, outer part
2	1.00	Stern tunnel inner part of 90150i		Stern tunnel inner part of 90150i
3	2.00	DIN 127 - A 10		DIN 127 - A 10
4	1.00	Merkelapp stor trekant		Merkelapp stor trekant
5	2.00	DIN 912 - M10 x 16		DIN 912 - M10 x 16
6	2.00	DIN7881 - 4,2 x 9,5 A2		DIN7881 - 4,2 x 9,5 A2
7	1.00	Cable lugs 408-4-M		Cable lugs 408-4-M
8	1.00	Kabel m/kontakt forsinkelse "i"		Kabel m/kontakt forsinkelse "i"
9	1.00	Kontakt		Kontakt
10	1.00	Relay Clip		Relay Clip
11	2.00	Klammer hekkunnel		Klammer hekkunnel

The installer alone has responsibility for the installation of the spare parts. Side-Power only warranty the spare parts supplied only.

The information given in the document was correct at the time it was published. However, Sleipner Motor AS can not accept liability for any inaccuracies or omissions it may contain. Continuous product improvement may change the product specifications without notice. Therefore, Sleipner Motor AS can not accept liability for any possible differences between product and document.