

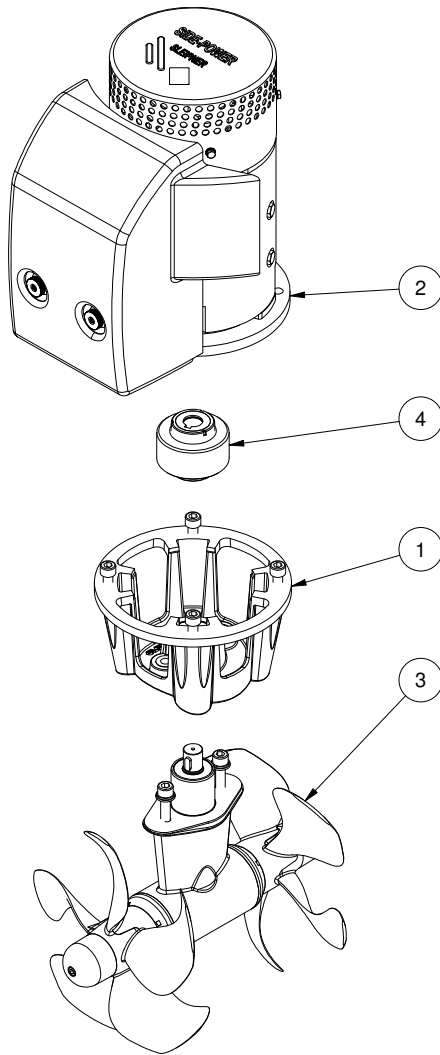
# SE170/250TC

## SE170 tunnel bow/stern thruster 24V

Spare parts (valid from 2022-07-04)



# SLEIPNER



#	Quantity	Name	Item Code	Description
1	1.00	Bracket	10 0501	Motor bracket SE130/170 + SH240
2	1.00	Electric motor	10 0101 24	Electric motor SE170 24V
3	1.00	Gearleg	13 0603	Gearleg SE170/210
4	1.00	Flexible coupling	7 1463	Flexible coupling SE120/130/150/170

The installer alone has responsibility for the installation of the spare parts. Side-Power only warranty the spare parts supplied only.

The information given in the document was correct at the time it was published. However, Sleipner Motor AS can not accept liability for any inaccuracies or omissions it may contain. Continuous product improvement may change the product specifications without notice. Therefore, Sleipner Motor AS can not accept liability for any possible differences between product and document.