

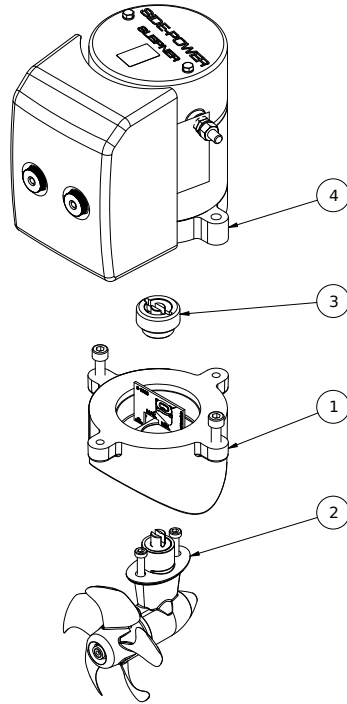
SE20/110S

SE20 Tunnel bow thruster, 12V

Spare parts (valid from 2022-06-02)



SLEIPNER



#	Quantity	Name	Item Code	Description
1	1.00	Motorbracket	SM-126302	Complete motor bracket SE20/25
2	1.00	Gearleg	2 0600	Complete gearleg SE20/25
3	1.00	Flexible coupling	SM175029	Flexible coupling for SE20,25,30 & 40
4	1.00	Electric motor	SM-136648	Electric motor for thruster SE20,complete

The installer alone has responsibility for the installation of the spare parts. Side-Power only warranty the spare parts supplied only.

The information given in the document was correct at the time it was published. However, Sleipner Motor AS can not accept liability for any inaccuracies or omissions it may contain. Continuous product improvement may change the product specifications without notice. Therefore, Sleipner Motor AS can not accept liability for any possible differences between product and document.