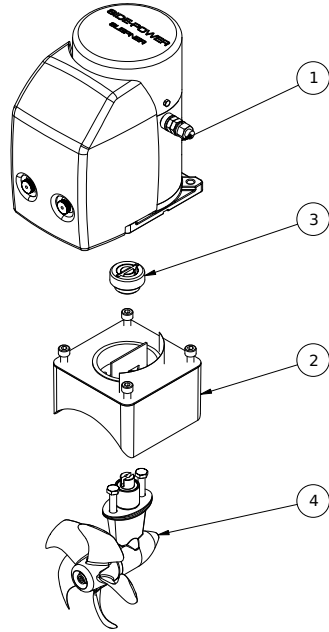


**SE50/140S-12V**  
**SE50 Tunnel bow thruster, 12V**

**Spare parts (valid from 2022-06-28)**



**SLEIPNER**



#	Quantity	Name	Item Code	Description
1	1.00	Electric motor	5 0101 12	Complete electric motor for thruster SE50 12V
2	1.00	Bracket	3 0502	Complete motor bracket SE50
3	1.00	Flexible coupling	SM-137073	Flexible coupling SE50/60S2
4	1.00	Gearleg	5 0600	Complete gearleg SE50, prefilled and sealed

The installer alone has responsibility for the installation of the spare parts. Side-Power only warranty the spare parts supplied only.

The information given in the document was correct at the time it was published. However, Sleipner Motor AS can not accept liability for any inaccuracies or omissions it may contain. Continuous product improvement may change the product specifications without notice. Therefore, Sleipner Motor AS can not accept liability for any possible differences between product and document.