

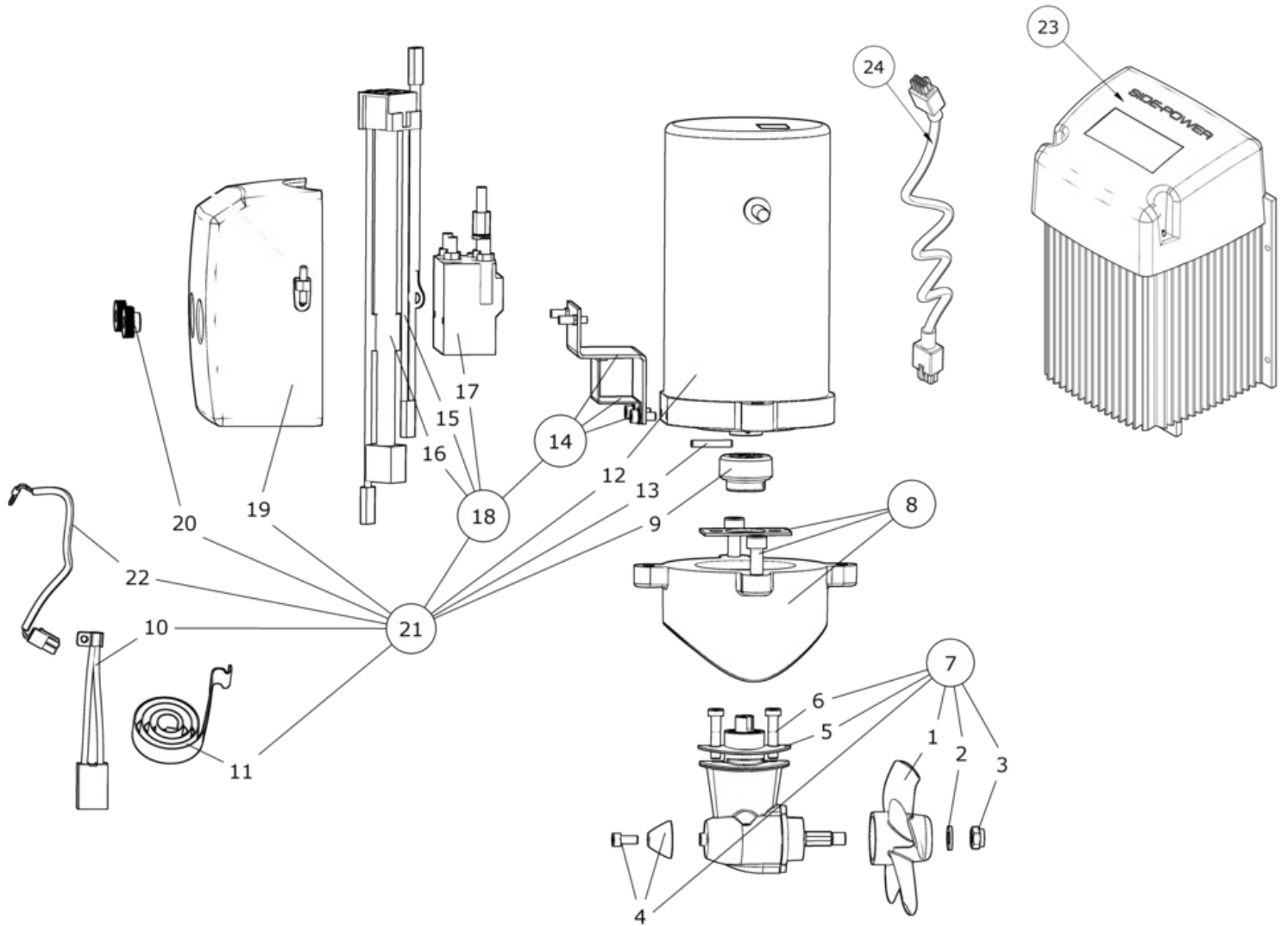
SEP25/110S

SEP25 PRO Tunnel bow thruster, 12V

Spare parts (valid from 2018-01-30)



SLEIPNER



#	Name	Item Code	Description
1	Propeller		125960
2	Propeller washer	208125	Flat washer M8 A4
3	Locknut	3 1250	Lock nut
4	Anode	3 1180 A	Anode kit for SE30/40/50
5	Gasket	3 1310 10	Gasket for gearleg installation in tunnel, SE40
6	Gearleg bolt	110031	Bolt Torx M3x6 Pan, Elzn
7	Complete gearleg	2 0600	Complete gearleg SE20/25
8	Complete motor bracket	SM-126302	Complete motor bracket SE20/25
9	Complete flexible coupling	SM-128472	Flexible coupling for SE20-40
10	Brushes for motor (kit)**		**
11	Brush springs for motor (kit)**		**
12	Electric motor		N/A
13	Key for electric motor shaft	3 2050A	Shear pin 4mm SP30/35/40/SE30/40
14	Solenoid bracket kit	2 0135	Solenoid bracket kit SE30
15	Internal wiring loom	6 1222	Wiring loom
16	Internal wiring loom	6 1223	Internal wiring harness
17	Solenoid	41472123	Solenoid replacement
18	Complete solenoid kit		3 0133 12
19	Solenoid Cover	3 2026	Solenoid cover for SE40
20	Nut for solenoid cover	6 8807	Nut for solenoid cover
21	Complete electric motor assembly	2 0106 12	Complete electric motor for thruster SEP25-12V
22	Temp sensor	31091	NTC Temperature probe M5 L=300mm
23	PPC	PPC520	PRO™ power control unit, PPC520
24	PPC control cable	6 1280-05M	Cable thruster control 5m

The installer alone has responsibility for the installation of the spare parts. Side-Power only warranty the spare parts supplied only.

The information given in the document was correct at the time it was published. However, Sleipner Motor AS can not accept liability for any inaccuracies or omissions it may contain. Continuous product improvement may change the product specifications without notice. Therefore, Sleipner Motor AS can not accept liability for any possible differences between product and document.