

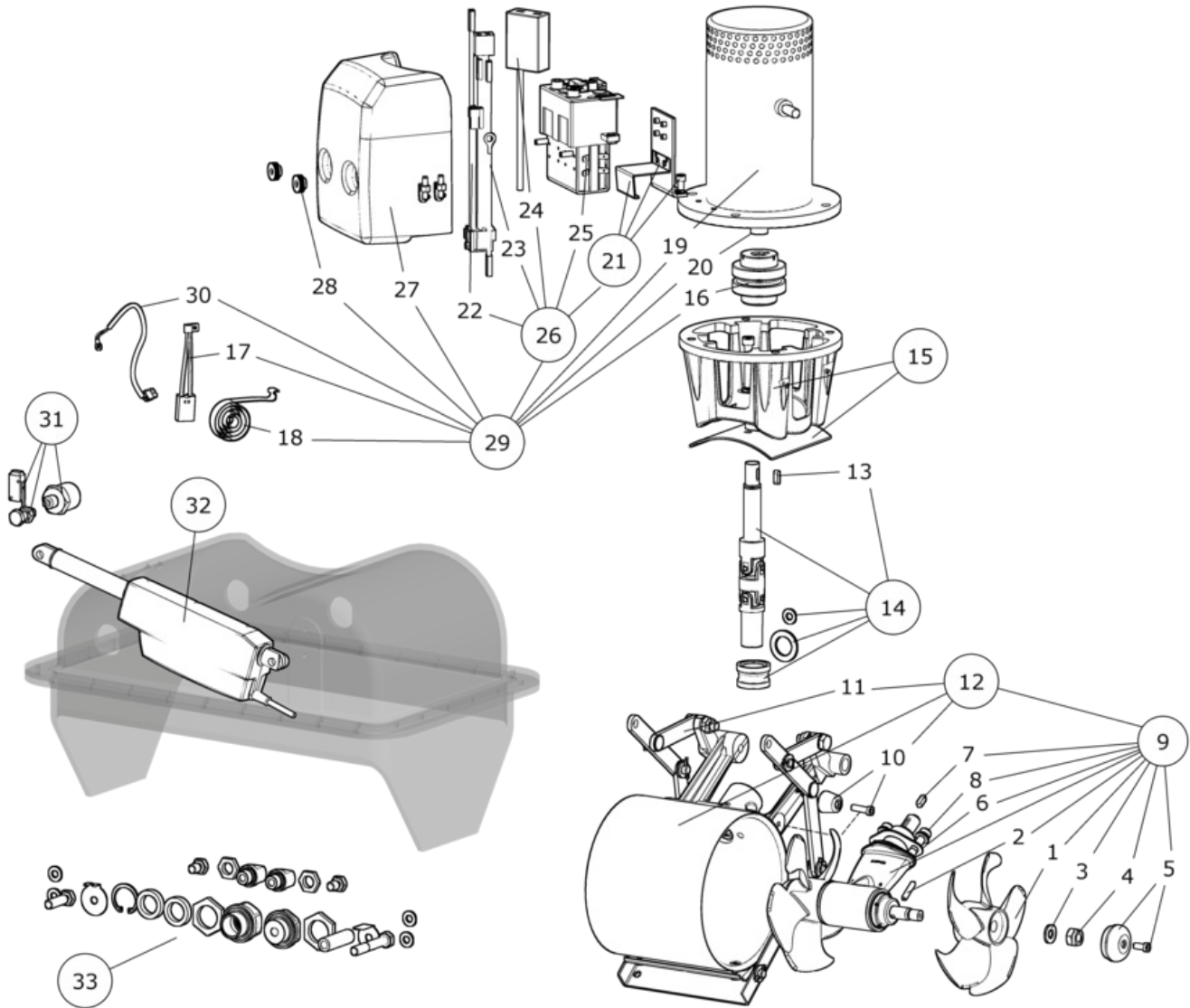
SR100/185T-12V

SR100 retract bow/stern thruster 12V

Spare parts (valid from 2017-06-30)



SLEIPNER



#	Name	Item Code	Description
1	Propeller	7 1261	Propeller SE80/100 5bl Q-Prop™
2	Drive pin		
3	Washer for propeller		
4	Lock nut		
5	Anode	7 1190 A	Anode, aluminium SE60/80/100
6	Gasket	7 1314	Gasket for gearleg/tunnel SE80/100 1,5mm
7	Key		
8	Bolt - M8 x 55 Unbraco		
9	Gearleg	8 0601	Gearleg SE80/100
10	Anode retract mechanism	6 1180	Anode, zinc 4HP up to 1999
11	Support stay kit	6 2200	Support stay set Retract
12	Complete SR retract mechanism	6 2199	Retract tunnel SR80/100 Ø185mm, complete set
13	Key for shaft		
14	Complete shaft kit	SM-125229	Complete joint w/key and seal SR80/100
15	Bracket	125230	Motor bracket SR80/100
16	Flexible coupling	7 1462	Flexible coupling SE80/100
17	Brushes for motor (kit)**		**
18	Brush springs for motor (kit)**		**
19	Electric motor		
21	Solenoid bracket kit	8 0136	Solenoid bracket kit SR100
22	Internal wiring loom	15 1274	Internal wiring harness for SR100 12V
23	Internal wiring loom	6 1223	Internal wiring harness for PRO™ models
24	Electronic control unit	6 1242	Control box retract
25	Solenoid	1013713	Solenoid SE100/130 12V
26	Complete solenoid kit	8 0132 12	Solenoid kit SR100 12V
27	Solenoid Cover kit	SM168566	Solenoid cover kit SE80
29	Electric motor		
30	Temp switch*		*
31	Sensor kit	6 2103	End stop sensor kit 12V
32	Actuator kit	6 2300	Actuator retract, complete 12V
33	Complete sealing SR kit	125224	Bushing kit SR80/100

The installer alone has responsibility for the installation of the spare parts. Side-Power only warranty the spare parts supplied only.

The information given in the document was correct at the time it was published. However, Sleipner Motor AS can not accept liability for any inaccuracies or omissions it may contain. Continuous product improvement may change the product specifications without notice. Therefore, Sleipner Motor AS can not accept liability for any possible differences between product and document.