

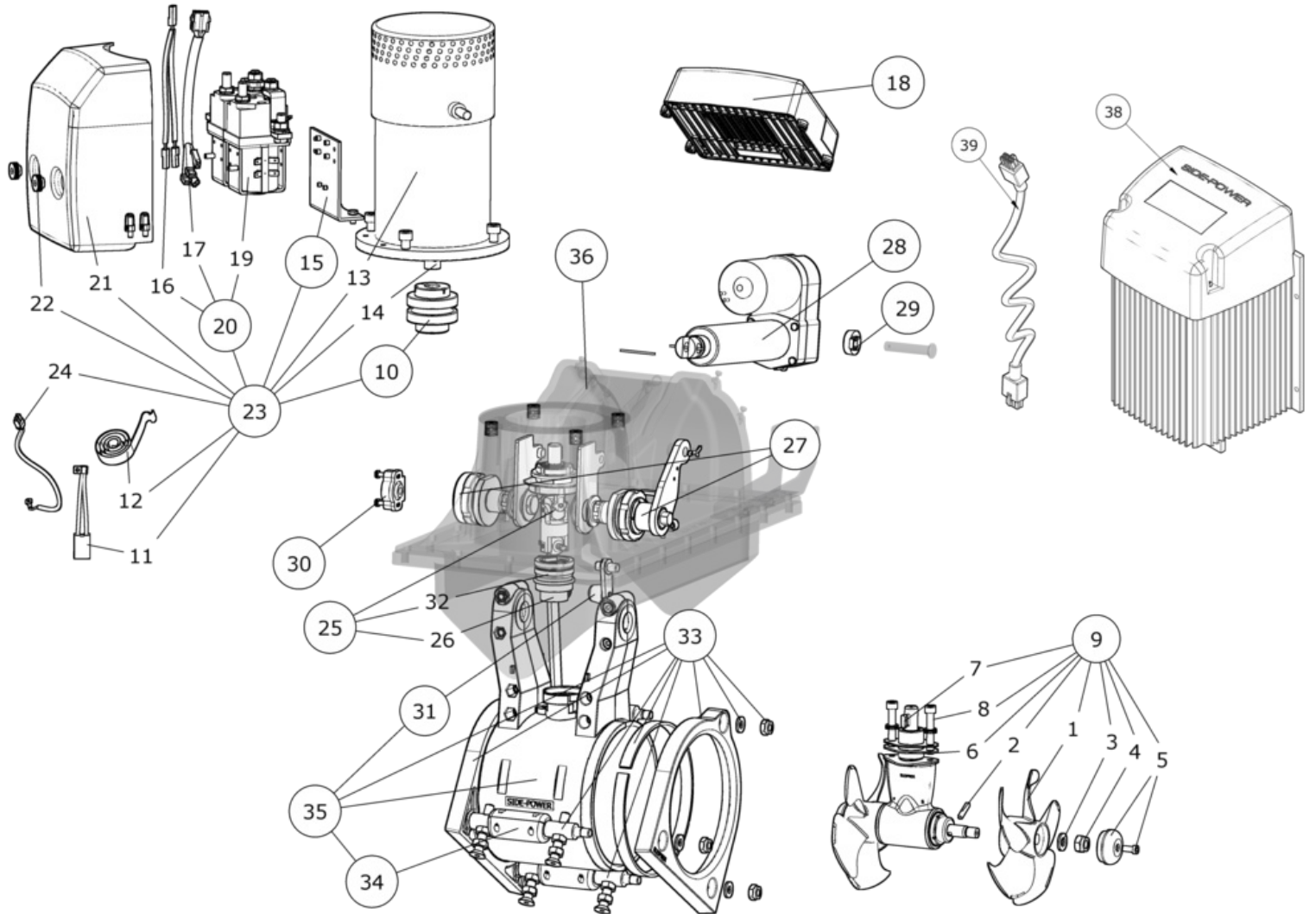
SRLP100/185T-12V

SRLP100 PRO™ retract bow/stern thruster 12V



SLEIPNER

Spare parts (valid from 2017-11-22)



| # | Quantity | Name | Item Code | Description |
|----|----------|---|--------------|--|
| 1 | 0.00 | Propeller | 7 1261 | Propeller SE80/100 5bl Q-Prop™ |
| 2 | 0.00 | Propeller drivepin | 6 1241 | Drive pin propeller SE60/80/100 (4/7HP) |
| 3 | 0.00 | Propeller washer | 7 1181 | Washer |
| 4 | 0.00 | Locknut | 4 1260 | Lock nut M12 |
| 5 | 0.00 | Anode | 7 1190 A | Anode, aluminium SE60/80/100 |
| 6 | 0.00 | Gasket | 8 0610 | Gasket for gearleg/tunnel SP75/95 |
| 7 | 0.00 | Driveshaft key | 6 1440 | Key for flexible coupling 5x5x16mm, 7HP SE80/100 + SP75/95 |
| 8 | 0.00 | Gearleg bolt | 12830 | Bolt M8 x 30 6kt |
| 9 | 0.00 | Complete gearleg | 8 0601 | Gearleg SE80/100 |
| 10 | 0.00 | Complete flexible coupling | 7 1462 | Flexible coupling SE80/100 |
| 11 | 0.00 | Brushes for motor (kit)** | | ** |
| 12 | 0.00 | Brush springs for motor (kit)** | | ** |
| 13 | 0.00 | Electric motor | | |
| 14 | 0.00 | Key for electric motor shaft | 10 1440 | Key for drive shaft 6x6x16mm, SP95/125++ |
| 15 | 0.00 | Solenoid bracket kit | 9 0136 12 | Solenoid bracket kit |
| 16 | 0.00 | Internal wiring loom | 6 1222 | Wiring loom |
| 17 | 0.00 | Internal wiring loom | 6 1223 | Internal wiring harness for PRO™ models |
| 18 | 0.00 | Electronic control unit | 150000 | Electronic Control Unit SRV |
| 19 | 0.00 | Solenoid | 1013713 | Solenoid SE100/130 12V |
| 20 | 0.00 | Complete solenoid kit | | 8 0133 12 |
| 21 | 0.00 | Solenoid Cover | 6 2025 | Solenoid cover SE80 |
| 22 | 0.00 | Nut for solenoid cover | 6 8810 | Nut for solenoid cover SE80-SP285 |
| 23 | 0.00 | Complete electric motor assembly | 8 0107 12 | Electric motor SEP100 12V |
| 24 | 0.00 | Temp sensor | 31091 | NTC Temperature probe M5 L=300mm |
| 25 | 0.00 | Vertical drive shaft kit | 6 2076 | Vertical shaft SRV 185mm |
| 26 | 0.00 | Lower vertical drive shaft kit | SM158812 | Lower joint kit Retract 185mm |
| 27 | 0.00 | Horizontal shaft kit | 6 2075 | Horizontal shaft SRV 185mm |
| 28 | 0.00 | Actuator | 140000-P8 | Actuator P8, 12V SRV |
| 29 | 0.00 | Shear washer | 140117 | Grommet / Shear |
| 30 | 0.00 | Sensor | 140144 | Position sensor 5KOhm 3pin |
| 31 | 0.00 | Anode retract | 6 1180 | Anode, zinc 4HP up to 1999 |
| 32 | 0.00 | Shaft sealing | 140029 | Mechanical sealing Ø35mm, type 14DIN |
| 33 | 0.00 | Retract ring support kit 185mm | 6 2142 | Retract ring support kit 185mm |
| 34 | 0.00 | Retract tunnel anode w/bolts | 140629 | Anode rod for SRV thrusters |
| 35 | 0.00 | Complete Retract tunnel kit 185mm | SM167115 | Tunnel kit for retract thruster SRV80/100 |
| 36 | 0.00 | Complete Retract mechanism assembly | 8 0651 12 | Retract mechanical SRV80/100 12V |
| 37 | 0.00 | Extension harness for 150000 control unit | 6 2202-DC-3M | Extension harness for 150000 |
| 38 | 0.00 | PPC | PPC820 PRO™ | Power control unit, variable speed controller for PRO™ thrusters, PPC820 |
| 39 | 0.00 | PPC control cable | 6 1280-05M | Cable thruster control 5m |
| 40 | 1.00 | Bevel Gear | 140270 | Bevel gear SRL thrusters |

The installer alone has responsibility for the installation of the spare parts. Side-Power only warranty the spare parts supplied only.

The information given in the document was correct at the time it was published. However, Sleipner Motor AS can not accept liability for any inaccuracies or omissions it may contain. Continuous product improvement may change the product specifications without notice. Therefore, Sleipner Motor AS can not accept liability for any possible differences between product and document.