

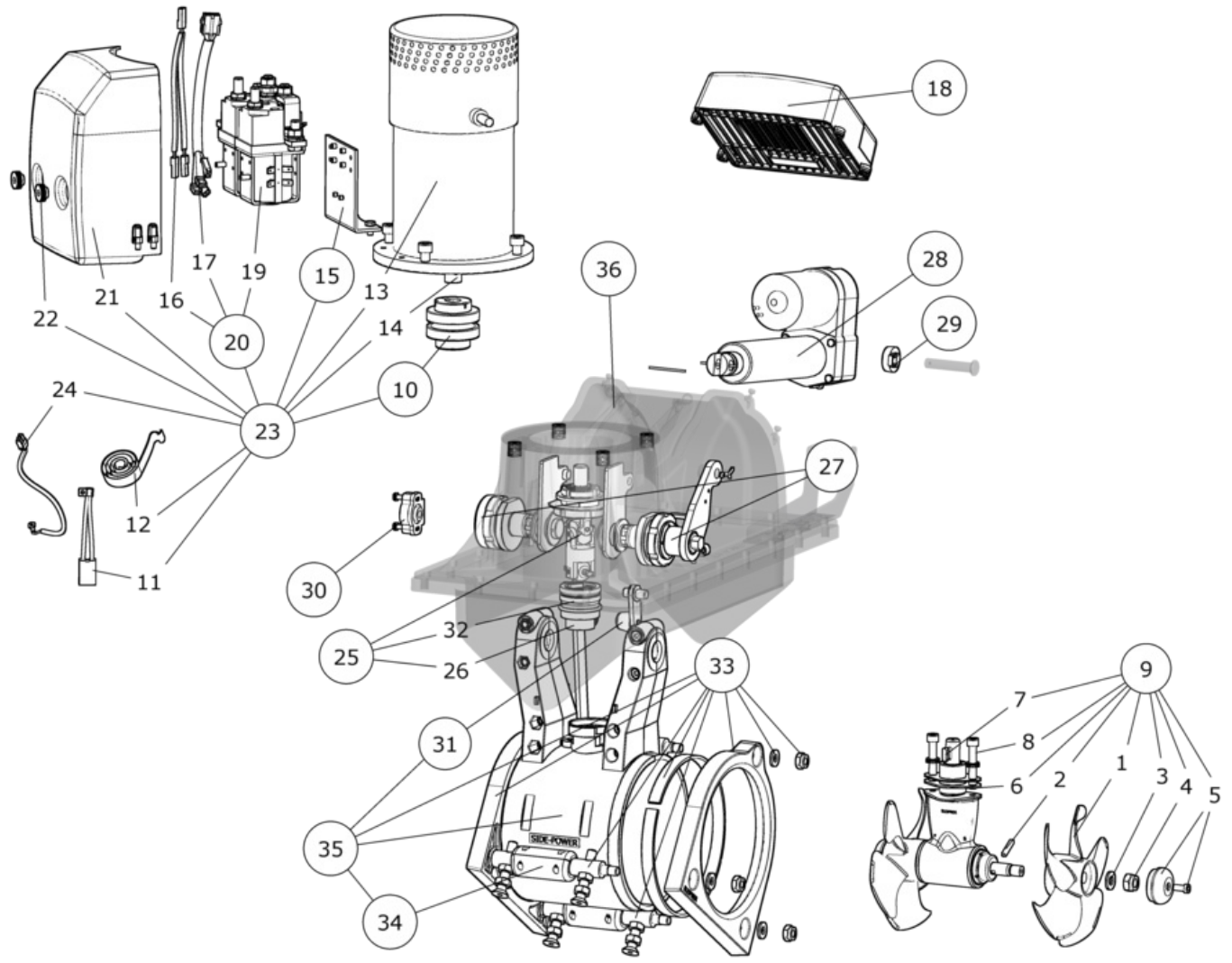
SRV100/185T-24V

SRV100 retract bow/stern thruster 24V

Spare parts (valid from 2017-11-22)



SLEIPNER



#	Name	Item Code	Description
1	Propeller	7 1261	Propeller SE80/100 5bl Q-Prop™
2	Propeller drivepin		
3	Propeller washer		
4	Locknut		
5	Anode	7 1190 A	Anode, aluminium SE60/80/100
6	Gasket	8 0610	Gasket for gearleg/tunnel SP75/95
7	Driveshaft key		
8	Gearleg bolt		
9	Complete gearleg	8 0601	Gearleg SE80/100
10	Complete flexible coupling	7 1462	Flexible coupling SE80/100
11	Brushes for motor (kit)**		**
12	Brush springs for motor (kit)**		**
13	Electric motor		
14	Key for electric motor shaft		
15	Solenoid bracket kit	10 0140 24	Solenoid bracket kit SE100/130 + SP95/125/155
16	Internal wiring loom	6 1222	Wiring loom
17	Internal wiring loom	6 1223	Internal wiring harness for PRO™ models
18	Electronic control unit	150000	Electronic Control Unit SRV
19	Solenoid	41371243	Solenoid SE80/100/120/130 24V
20	Complete solenoid kit		8 0133 24
21	Solenoid Cover	6 2025	Solenoid cover SE80
22	Nut for solenoid cover	6 8810	Nut for solenoid cover SE80-SP285
23	Complete electric motor assembly	8 0107 24	Electric motor SEP100 24V
24	Temp sensor	31091	NTC Temperature probe M5 L=300mm
25	Vertical drive shaft kit	6 2076	Vertical shaft SRV 185mm
26	Lower vertical drive shaft kit	SM158812	Lower joint kit Retract 185mm
27	Horizontal shaft kit	6 2075	Horizontal shaft SRV 185mm
28	Actuator	139999-P8	Actuator P8, 24V SRV
29	Shear washer		
30	Sensor		
31	Anode retract	6 1180	Anode, zinc 4HP up to 1999
32	Shaft sealing		
33	Retract ring support kit 185mm	6 2142	Retract ring support kit 185mm
34	Retract tunnel anode w/bolts	140629	Anode rod for SRV thrusters
35	Complete Retract tunnel kit 185mm	SM167115	Tunnel kit for retract thruster SRV80/100
36	Complete Retract mechanism assembly	8 0651 24	Retract mechanical SRV80/100 24V
37	Extension harness for 150000 control unit	6 2202-DC-3M	Extension harness for 150000

The installer alone has responsibility for the installation of the spare parts. Side-Power only warranty the spare parts supplied only.

The information given in the document was correct at the time it was published. However, Sleipner Motor AS can not accept liability for any inaccuracies or omissions it may contain. Continuous product improvement may change the product specifications without notice. Therefore, Sleipner Motor AS can not accept liability for any possible differences between product and document.