

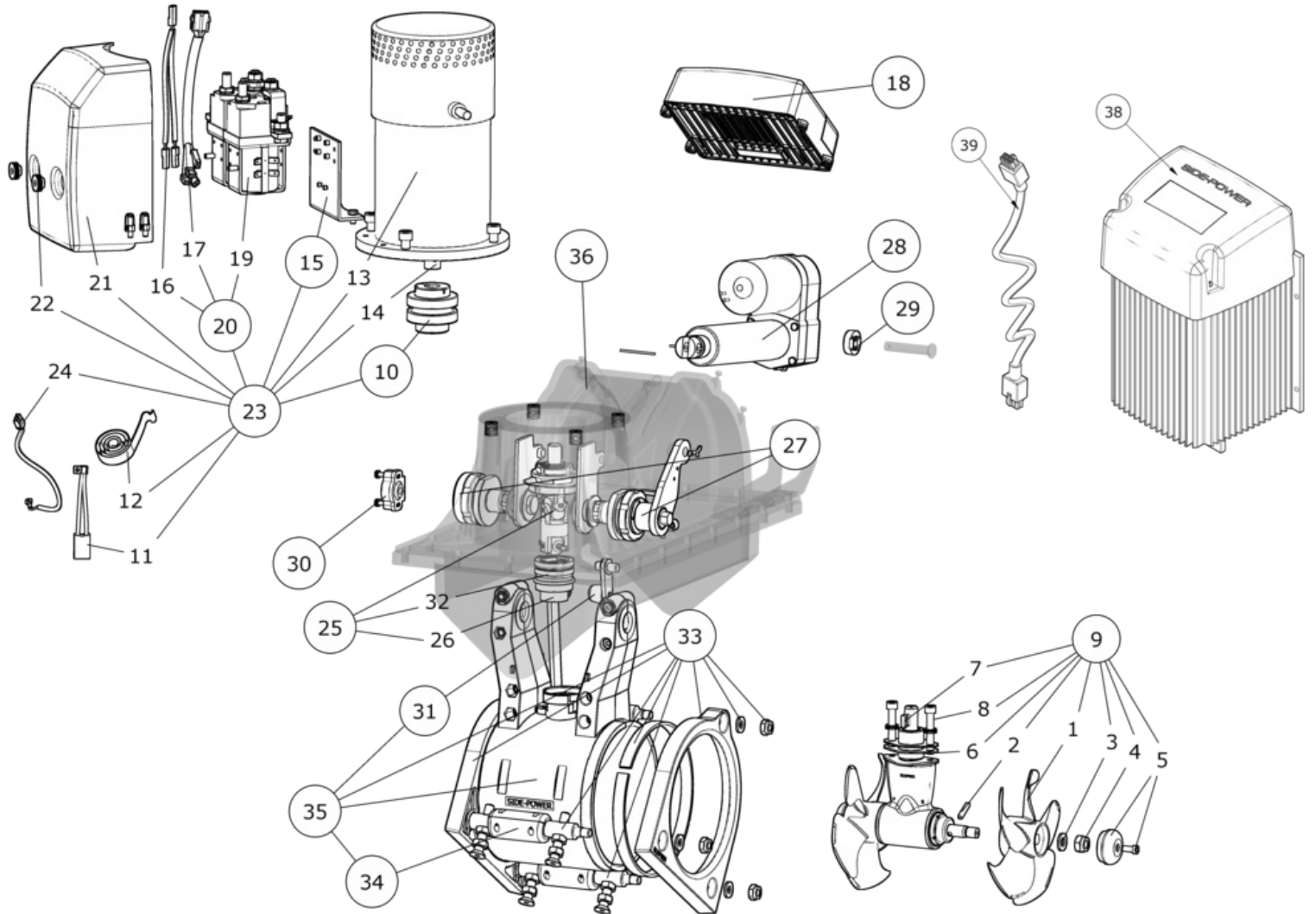
SRVP100/185T-12V

SRVP100 PRO™ retract bow/stern thruster 12V



SLEIPNER

Spare parts (valid from 2017-11-22)



#	Name	Item Code	Description
1	Propeller	7 1261	Propeller SE80/100 5bl Q-Prop™
2	Propeller drivepin	6 1241	Drive pin propeller SE60/80/100 (4/7HP)
3	Propeller washer	7 1181	Washer
4	Locknut	4 1260	Lock nut M12
5	Anode	7 1190 A	Anode, aluminium SE60/80/100
6	Gasket	8 0610	Gasket for gearleg/tunnel SP75/95
7	Driveshaft key	6 1440	Key for flexible coupling 5x5x16mm, 7HP SE80/100 + SP75/95
8	Gearleg bolt	12830	Bolt M8 x 30 6kt
9	Complete gearleg	8 0601	Gearleg SE80/100
10	Complete flexible coupling	7 1462	Flexible coupling SE80/100
11	Brushes for motor (kit)**		**
12	Brush springs for motor (kit)**		**
13	Electric motor		
14	Key for electric motor shaft	10 1440	Key for drive shaft 6x6x16mm, SP95/125++
15	Solenoid bracket kit	9 0136 12	Solenoid bracket kit
16	Internal wiring loom	6 1222	Wiring loom
17	Internal wiring loom	6 1223	Internal wiring harness for PRO™ models
18	Electronic control unit	150000	Electronic Control Unit SRV
19	Solenoid	1013713	Solenoid SE100/130 12V
20	Complete solenoid kit		8 0133 12
21	Solenoid Cover	6 2025	Solenoid cover SE80
22	Nut for solenoid cover	6 8810	Nut for solenoid cover SE80-SP285
23	Complete electric motor assembly	8 0107 12	Electric motor SEP100 12V
24	Temp sensor	31091	NTC Temperature probe M5 L=300mm
25	Vertical drive shaft kit	6 2076	Vertical shaft SRV 185mm
26	Lower vertical drive shaft kit	SM158812	Lower joint kit Retract 185mm
27	Horizontal shaft kit	6 2075	Horizontal shaft SRV 185mm
28	Actuator	140000-P8	Actuator P8, 12V SRV
29	Shear washer	140117	Grommet / Shear
30	Sensor	140144	Position sensor 5KOhm 3pin
31	Anode retract	6 1180	Anode, zinc 4HP up to 1999
32	Shaft sealing	140029	Mechanical sealing Ø35mm, type 14DIN
33	Retract ring support kit 185mm	6 2142	Retract ring support kit 185mm
34	Retract tunnel anode w/bolts	140629	Anode rod for SRV thrusters
35	Complete Retract tunnel kit 185mm	SM167115	Tunnel kit for retract thruster SRV80/100
36	Complete Retract mechanism assembly	8 0651 12	Retract mechanical SRV80/100 12V
37	Extension harness for 150000 control unit	6 2202-DC-3M	Extension harness for 150000
38	PPC	PPC820 PRO™	Power control unit, variable speed controller for PRO™ thrusters, PPC820
39	PPC control cable	6 1280-05M	Cable thruster control 5m

The installer alone has responsibility for the installation of the spare parts. Side-Power only warranty the spare parts supplied only.

The information given in the document was correct at the time it was published. However, Sleipner Motor AS can not accept liability for any inaccuracies or omissions it may contain. Continuous product improvement may change the product specifications without notice. Therefore, Sleipner Motor AS can not accept liability for any possible differences between product and document.