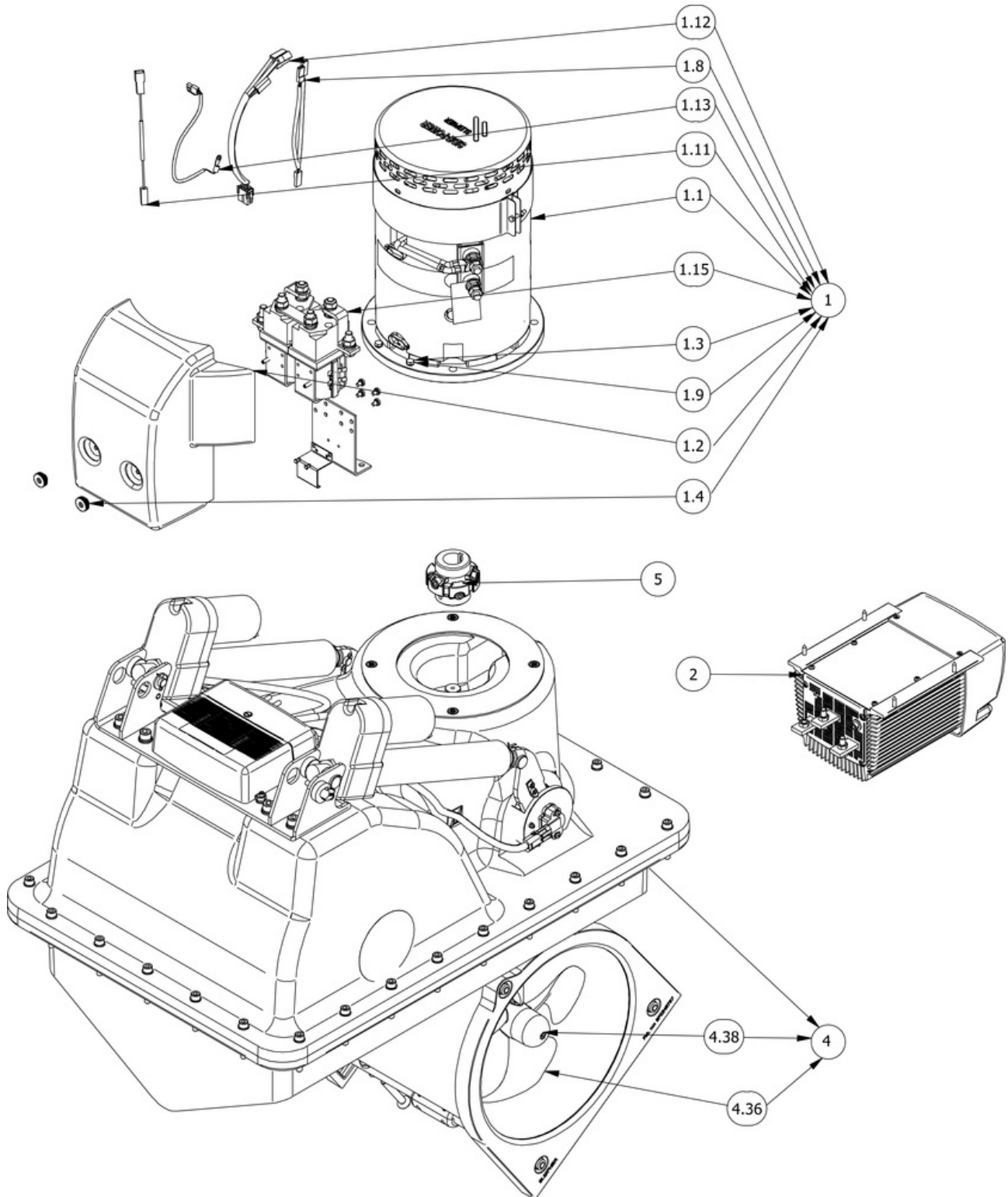


SRVP300/300TC SRVP300 PRO™ retract bow/stern thruster



SLEIPNER

Spare parts (valid from 2020-11-16)



#	Quantity	Name	Item Code	Description
1	0.00	El. motor 48V	20 0102 48	Electric motor SRV300 24V
1.1	0.00	Electric motor		20 1048K
1.11	0.00	Resistor for SP285 motor	20 0273	Load resistor w/cable for SP285 motor
1.12	0.00	Internal clutch cruise control (SEP only)	6 1223	Internal wiring harness for PRO™ models
1.13	0.00	Temp sensor	31091	NTC Temperature probe M5 L=300mm
1.15	0.00	Relay mounted SP200-285	1013702	Solenoid SE150/170/210/250/300
1.2	0.00	Cover SE210	20 2027	Solenoid cover SE150/170/210TC + SP240/285TC
1.3	0.00	DIN 933 - M6 x 12	10 1225	Bolt M6 x 12 6kt
1.4	0.00	Plastic Nut	6 8810	Nut for solenoid cover SE80-SP285
1.8	0.00	Power connector		6 1222
1.9	0.00	DIN 6798 - A 6.4	6 1268	Serrated lock washer M6 A2
2	0.00	Proportional Power Controller complete	PPC840 PRO™	Power control unit, variable speed controller for PRO™ thrusters, PPC840
4	0.00	Retract Mechanical SRV 300	20 0651	Retract mechanical SRV300 Common
4.36	0.00	Q-Prop Ø300 RH	SM-130945	Thruster propeller 5bl Q-Prop™ for SE300 RH
4.38	0.00	SRV300 Gearleg (No oil prefill)	20 0603-U	Gearleg SRV300TC w/out propeller
4.4	1.00	Complete tunnel kit Retract Ø300mm TC	SM168120	Tunnel kit retract Ø300mm TC, complete
5	0.00	Centa Flexi coupling Ø28 Ø22 - 10 50CFB76	SM155054	Flexible coupling SRV300

The installer alone has responsibility for the installation of the spare parts. Side-Power only warranty the spare parts supplied only.

The information given in the document was correct at the time it was published. However, Sleipner Motor AS can not accept liability for any inaccuracies or omissions it may contain. Continuous product improvement may change the product specifications without notice. Therefore, Sleipner Motor AS can not accept liability for any possible differences between product and document.