

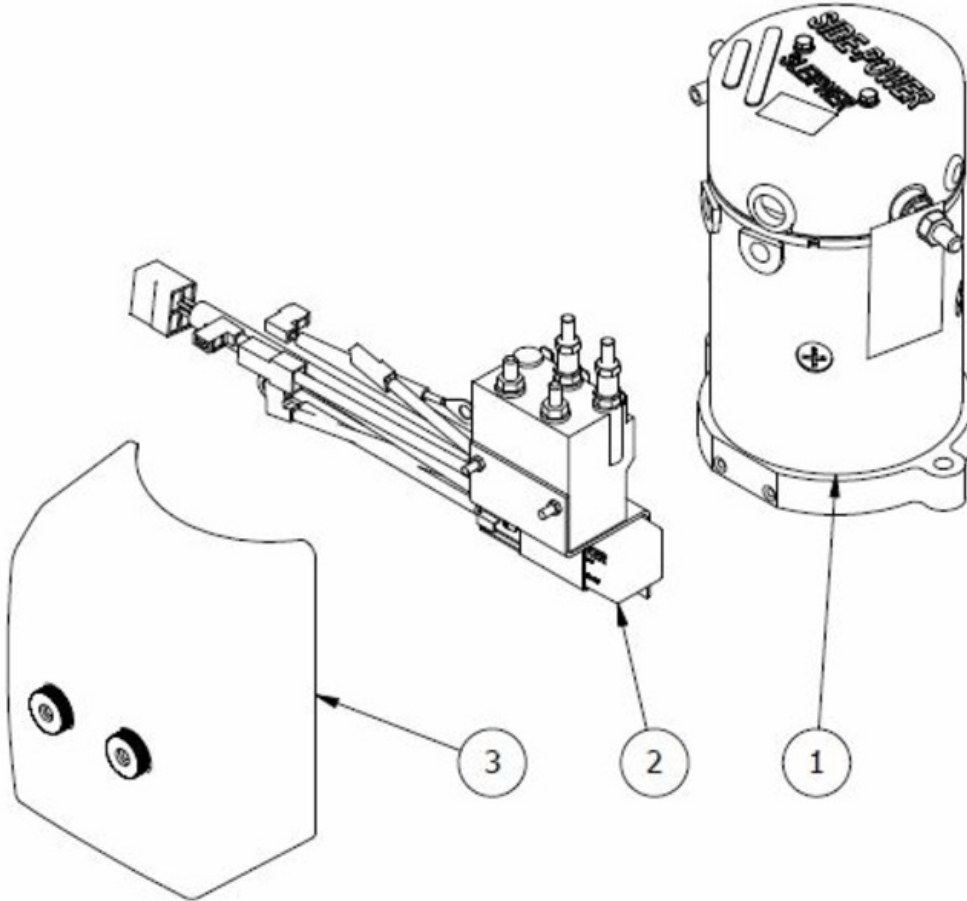
2 0105 12

Electric motor SE25 12V

Spare parts (valid from 2022-06-03)



SLEIPNER



#	Quantity	Name	Item Code	Description
1	1.00	Electric motor		
2	1.00	Complete solenoid kit	2 0131 12	Solenoid kit SE30 12V
3	1.00	Solenoid cover kit SE20-30	SM168196	Solenoid cover kit SE20-30
4	1.00	Brushes for motor (kit)		
5	1.00	Brushes spring for motor (kit)		
6	1.00	Temp switch		

(*4) Please provide thruster serial # when ordering brushes for motor.

(*5) Please provide thruster serial # when ordering brushes spring for motor.

(*6) Please provide thruster serial # when ordering temp switch.

The installer alone has responsibility for the installation of the spare parts. Side-Power only warranty the spare parts supplied only.

The information given in the document was correct at the time it was published. However, Sleipner Motor AS can not accept liability for any inaccuracies or omissions it may contain. Continuous product improvement may change the product specifications without notice. Therefore, Sleipner Motor AS can not accept liability for any possible differences between product and document.