

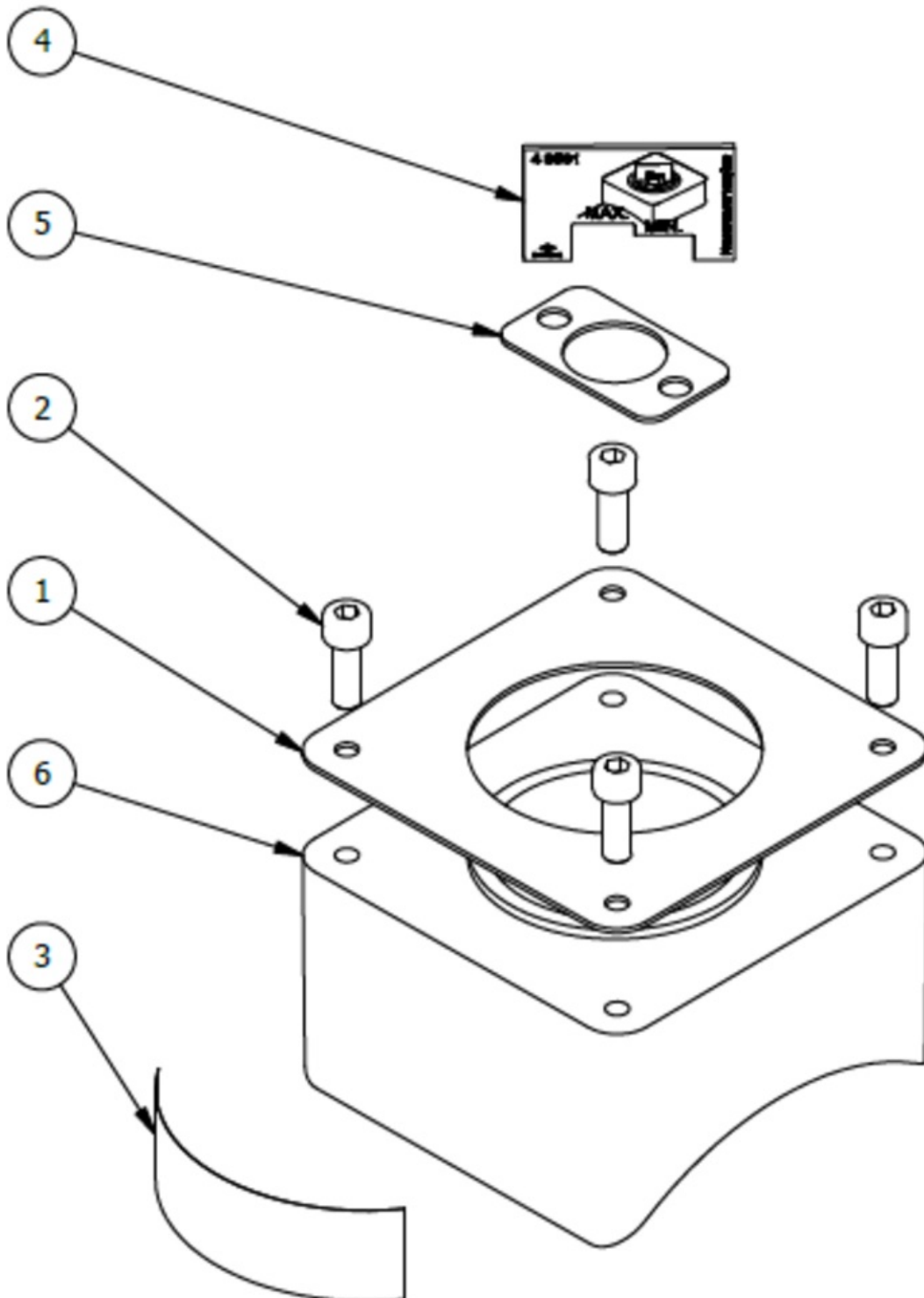
**4 0502**

**Motor bracket SE60S2**

**Spare parts (valid from 2022-03-14)**



**SLEIPNER**



#	Quantity	Name	Item Code	Description
1	1.00	Gasket	6 1061	Gasket for motor bracket 4HP
2	4.00	Bolt		DIN 912 - M8 x 22 (A2)
3	1.00	Label	4 8570	Label motor bracket
4	1.00	Measurement template	4 8561	Measure template SE50/60
5	1.00	Support plate for motor bracket	4 1242	Bracket washer SE50/60
6	1.00	Bracket		

The installer alone has responsibility for the installation of the spare parts. Side-Power only warranty the spare parts supplied only.

The information given in the document was correct at the time it was published. However, Sleipner Motor AS can not accept liability for any inaccuracies or omissions it may contain. Continuous product improvement may change the product specifications without notice. Therefore, Sleipner Motor AS can not accept liability for any possible differences between product and document.