

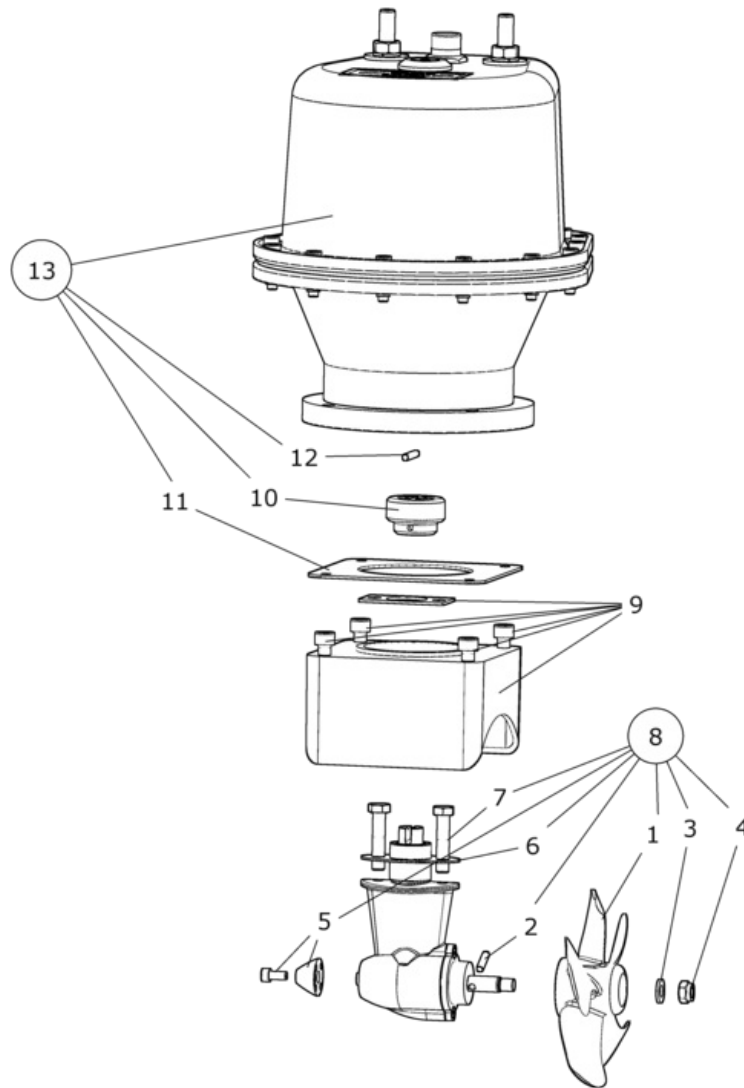
SE50/140S-24IP

SE50 IP Tunnel bow thruster, 24V

Spare parts (valid from 2018-01-23)



SLEIPNER



#	Name	Item Code	Description
1	Propeller	5 1260	Thruster propeller Ø137mm SE50
2	Propeller drivepin	141258	Propeller drive pin ISO8734
3	Propeller washer	208125	Flat washer M8 A4
4	Locknut	3 1250	Lock nut
5	Anode	3 1180 A	Anode kit for SE30/40/50
6	Gasket	141261	Gasket for gearleg installation in tunnel, SE50
7	Gearleg bolt	141259	Bolt
8	Complete gearleg	5 0600	Complete gearleg SE50, prefilled and sealed
9	Complete motor bracket	3 0502	Complete motor bracket SE50
10	Complete flexible coupling	SM-137073	Flexible coupling SE50/60S2
11	Gasket	6 1061	Gasket for motor bracket
12	Key for electric motor shaft	141285	Motor drive pin 4x32mm SE50/60S2
13	Complete electric motor assembly		5 0103 24

The installer alone has responsibility for the installation of the spare parts. Side-Power only warranty the spare parts supplied only.

The information given in the document was correct at the time it was published. However, Sleipner Motor AS can not accept liability for any inaccuracies or omissions it may contain. Continuous product improvement may change the product specifications without notice. Therefore, Sleipner Motor AS can not accept liability for any possible differences between product and document.