

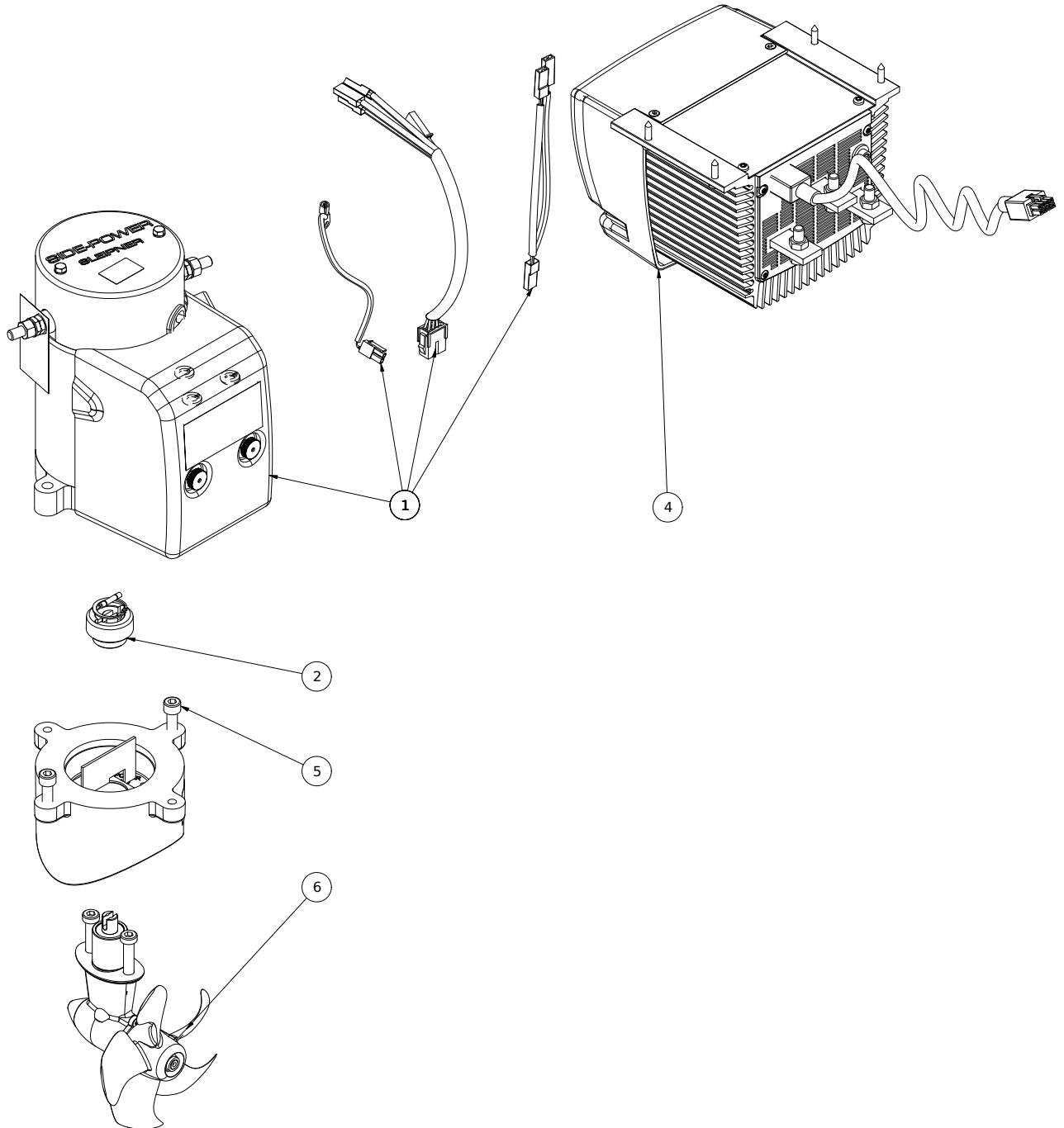
SEP40/125S2

SEP40 Tunnel thruster, 12v

Spare parts (valid from 2022-03-29)



SLEIPNER



#	Quantity	Name	Item Code	Description
1	1.00	Electric motor	3 0105 12	Complete electric motor for thruster SEP40
2	1.00	Flexible coupling	SM175029	Flexible coupling for SE20,25,30 & 40
4	1.00	PPC 520	PPC520	PRO™ power control unit, PPC520
5	1.00	Bracket	SM-126592	Complete motor bracket SE30/40S2
6	1.00	Gearleg	3 0601	Complete gearleg with propeller SE30/40, prefilled and sealed

The installer alone has responsibility for the installation of the spare parts. Side-Power only warranty the spare parts supplied only.

The information given in the document was correct at the time it was published. However, Sleipner Motor AS can not accept liability for any inaccuracies or omissions it may contain. Continuous product improvement may change the product specifications without notice. Therefore, Sleipner Motor AS can not accept liability for any possible differences between product and document.