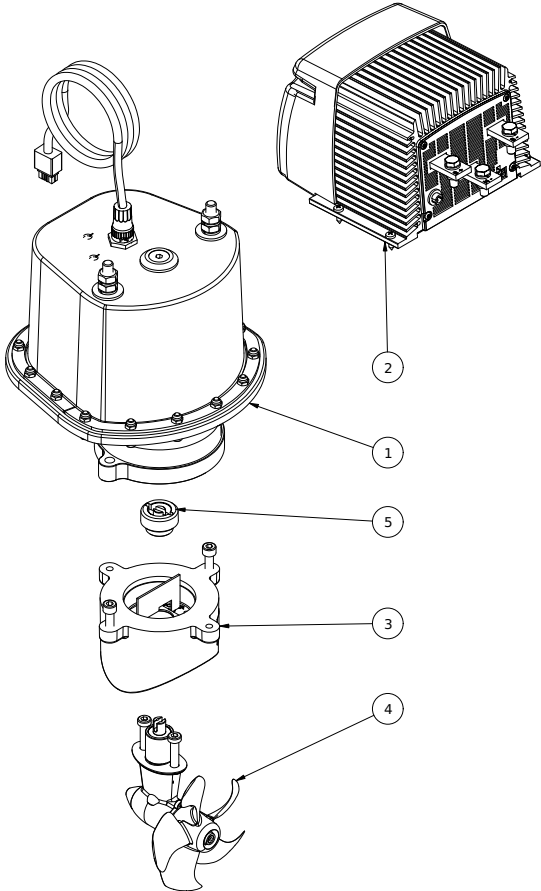


**SEP40/125S2-IP**  
**SEP40 PRO IP Tunnel bow/stern thruster, 12V**

Spare parts (valid from 2022-07-05)



#	Quantity	Name	Item Code	Description
1	1.00	Electric motor	3 0106 12	Complete electric motor for thruster SEP40S2I IP
2	1.00	PPC 520	PPC520-NH	Proportional Power Controller IP, variable speed controller for PRO thrusters
3	1.00	Bracket	SM-126592	Complete motor bracket SE30/40S2
4	1.00	Gearleg	3 0601	Complete gearleg with propeller SE30/40, prefilled and sealed
5	1.00	Flexible coupling	SM175029	Flexible coupling for SE20,25,30 & 40

The installer alone has responsibility for the installation of the spare parts. Side-Power only warranty the spare parts supplied only.

The information given in the document was correct at the time it was published. However, Sleipner Motor AS can not accept liability for any inaccuracies or omissions it may contain. Continuous product improvement may change the product specifications without notice. Therefore, Sleipner Motor AS can not accept liability for any possible differences between product and document.