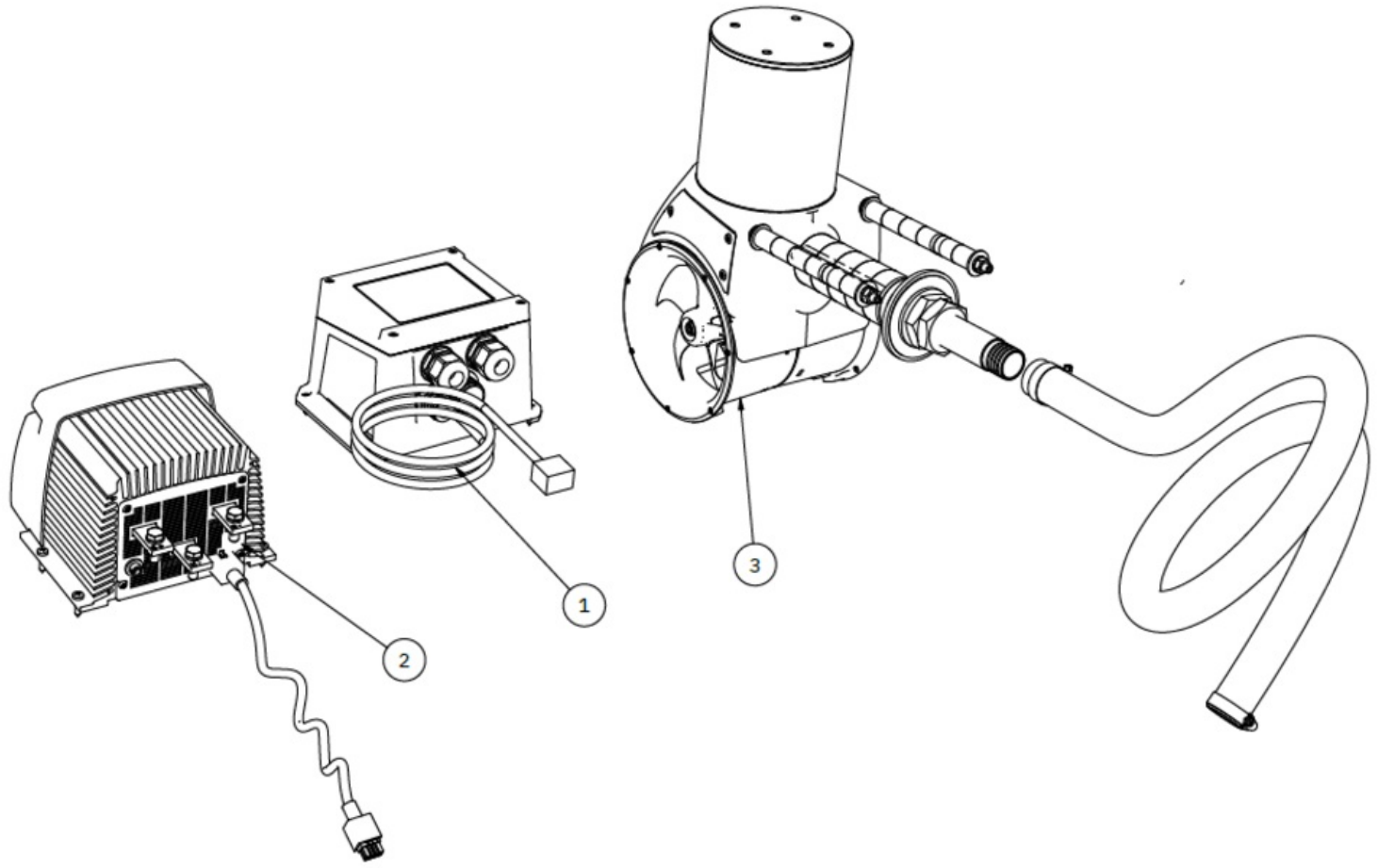


SXP35/140-12V-150MM
SXP35 PRO External stern thruster 12V
w/Controller



Spare parts (valid from 2021-12-03)



#	Name	Item Code	Description
1	SX Pro Controller	CONT-SXP35-12V	Controller, SXP35 PRO
2	PPC 520	PPC520	PRO™ power control unit, PPC520
3	SX35 External stern thruster 12V 150mm	SM170353	SX35/140 External thruster 150 mm kit

The installer alone has responsibility for the installation of the spare parts. Side-Power only warranty the spare parts supplied only.

The information given in the document was correct at the time it was published. However, Sleipner Motor AS can not accept liability for any inaccuracies or omissions it may contain. Continuous product improvement may change the product specifications without notice. Therefore, Sleipner Motor AS can not accept liability for any possible differences between product and document.