

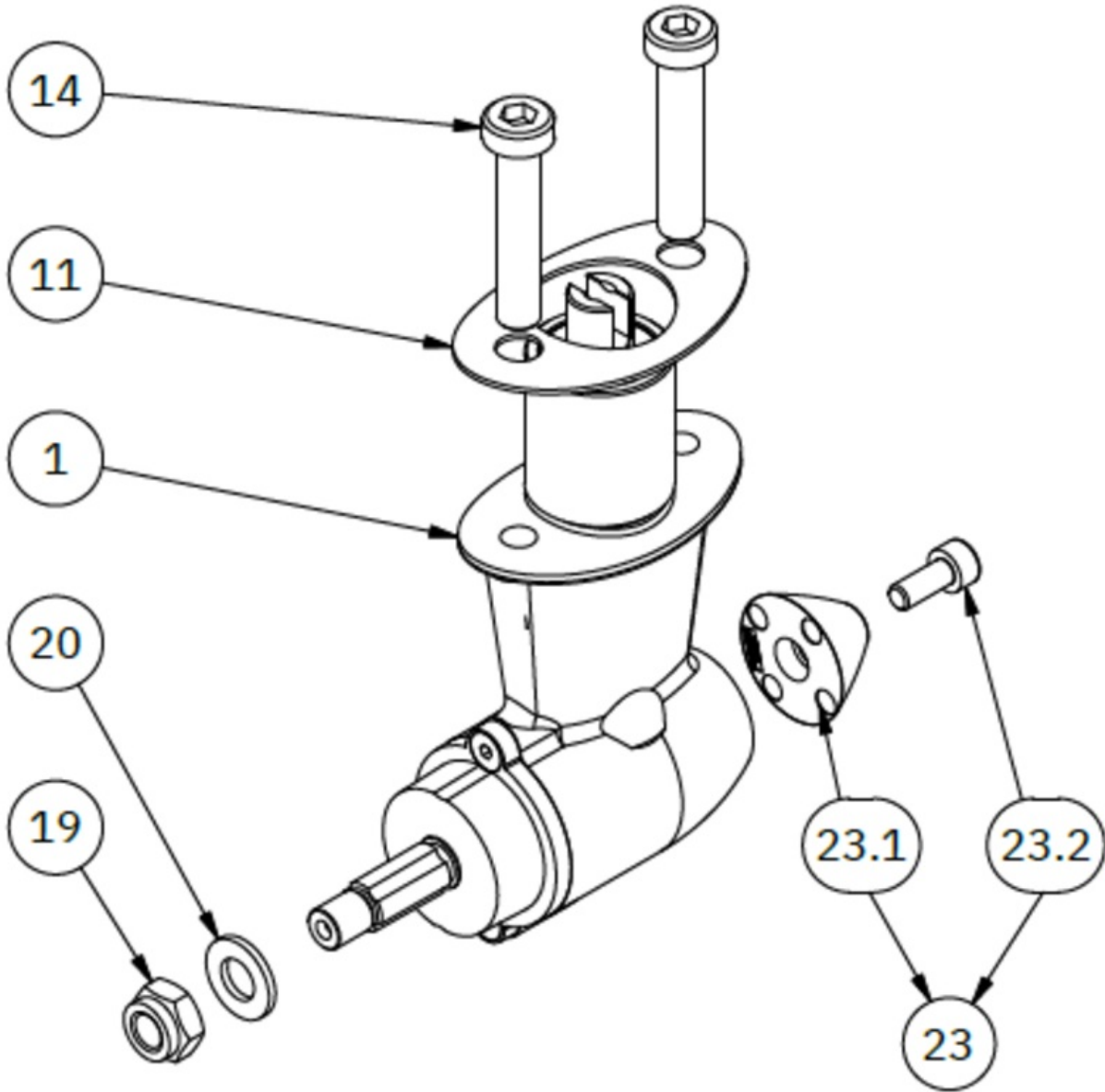
3 0601-U

Gearleg SE30/40 w/out propeller

Spare parts (valid from 2022-01-05)



SLEIPNER



#	Name	Item Code	Description
1	Gearleg		311103 - Gearleg SE30-40
11	Gasket	3 1310 10	Gasket for gearleg/tunnel SE40
14	Bolt		3 1080 -DIN 6912 - M8 x 40
19	Bolt		3 1250 - DIN 985 - M8x1,25
20	Washer		208125 - DIN 125 - A 8,4
23	Anode Kit	3 1180 A	Anode, aluminium SE30/40/50
23.1	Anode, aluminium		
23.2	Bolt - DIN 912 - M5 x 12		

The installer alone has responsibility for the installation of the spare parts. Side-Power only warranty the spare parts supplied only.

The information given in the document was correct at the time it was published. However, Sleipner Motor AS can not accept liability for any inaccuracies or omissions it may contain. Continuous product improvement may change the product specifications without notice. Therefore, Sleipner Motor AS can not accept liability for any possible differences between product and document.