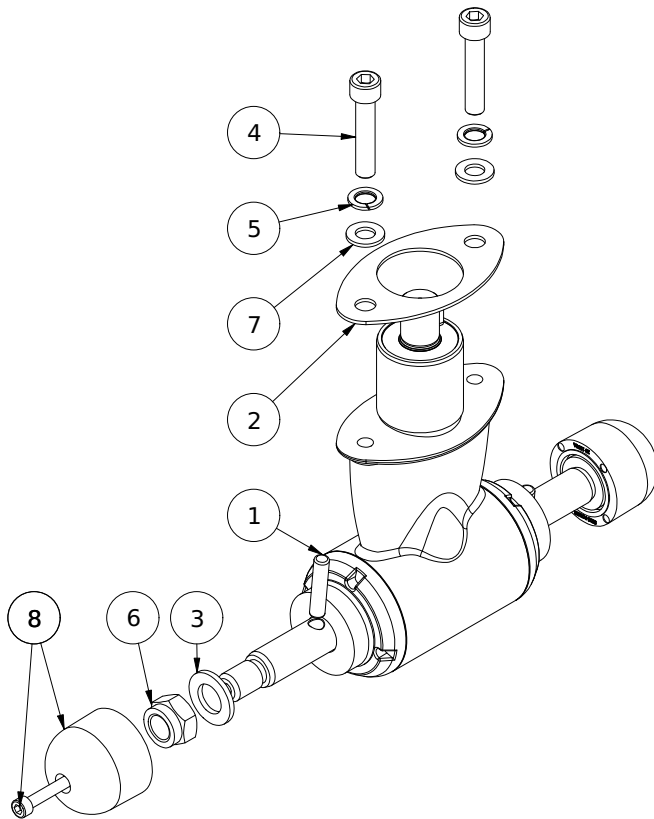


# 10 0600-U Gearleg SE120/150 w/out propeller

Spare parts (valid from 2022-08-18)



# SLEIPNER



#	Quantity	Name	Item Code	Description
1	2.00	Drive pin		Drive pin Ø8 x 37mm
2	1.00	Gasket	9 1355	Gasket for gearleg/tunnel SE120/150
3	2.00	Washer		DIN 125 - A 17
4	2.00	Bolt		DIN 912 - M10 x 50
5	2.00	Washer		DIN 128 - A10
6	2.00	Nut		DIN 985 - M16x2
7	2.00	Washer		DIN 125 - A 10,5
8	2.00	Anode kit	20 1180 A	Anode, aluminium SE120/130/150/170/250

The installer alone has responsibility for the installation of the spare parts. Side-Power only warranty the spare parts supplied only.

The information given in the document was correct at the time it was published. However, Sleipner Motor AS can not accept liability for any inaccuracies or omissions it may contain. Continuous product improvement may change the product specifications without notice. Therefore, Sleipner Motor AS can not accept liability for any possible differences between product and document.