

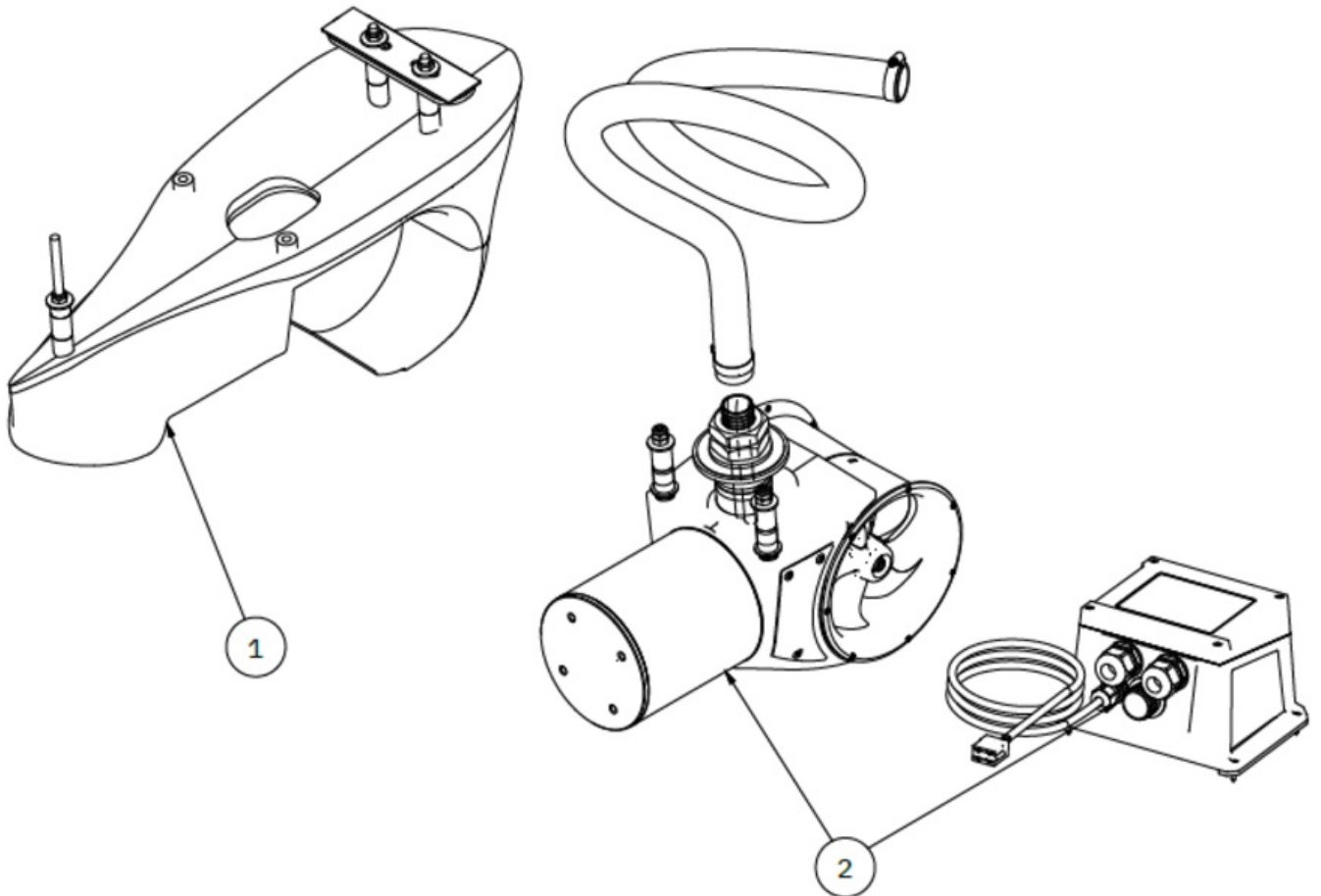
SX35/140-12V-50POD

SX35 External bow/stern Pod thruster 12V w/Controller

Spare parts (valid from 2021-12-01)



SLEIPNER



#	Name	Item Code	Description
1	SX140 HydroPod	POD-SX35/50-50MM	Hydropod complete kit for in water flow configuration
2	SX35 External thruster 12V w/controller	SX35/140-12V-50MM	SX35 External stern thruster 12V w/Controller

The installer alone has responsibility for the installation of the spare parts. Side-Power only warranty the spare parts supplied only.

The information given in the document was correct at the time it was published. However, Sleipner Motor AS can not accept liability for any inaccuracies or omissions it may contain. Continuous product improvement may change the product specifications without notice. Therefore, Sleipner Motor AS can not accept liability for any possible differences between product and document.